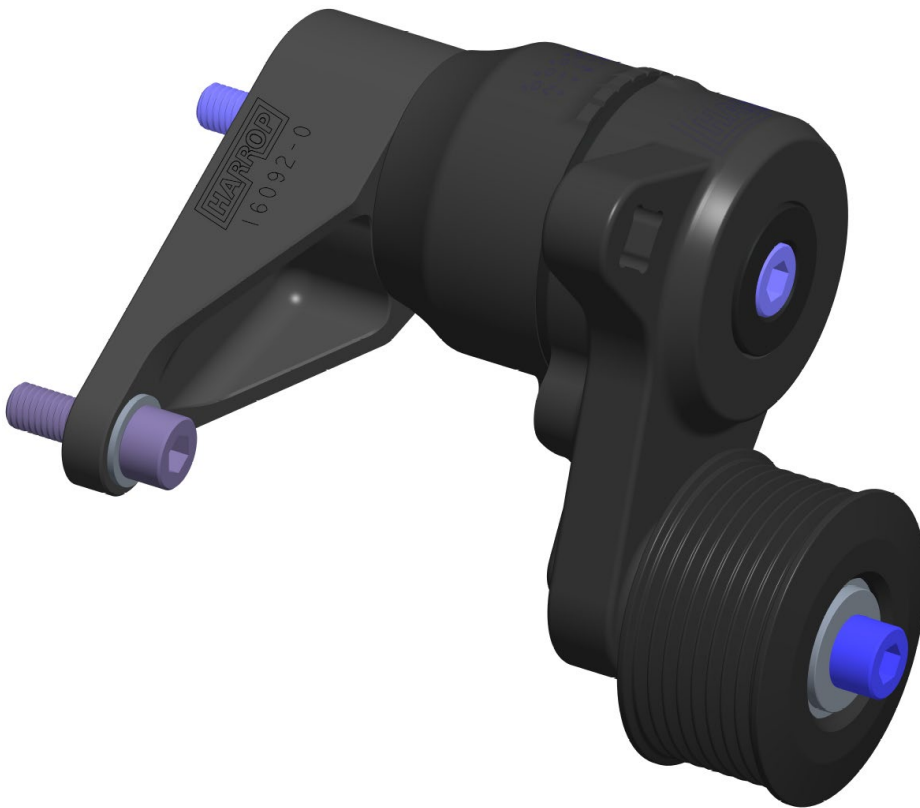




# Installation Guide

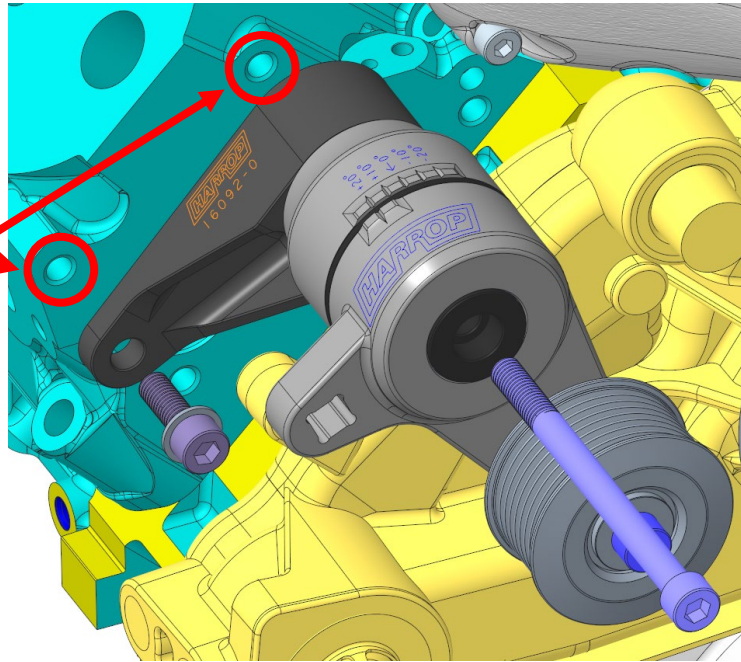
## HTV HD Billet Tensioner



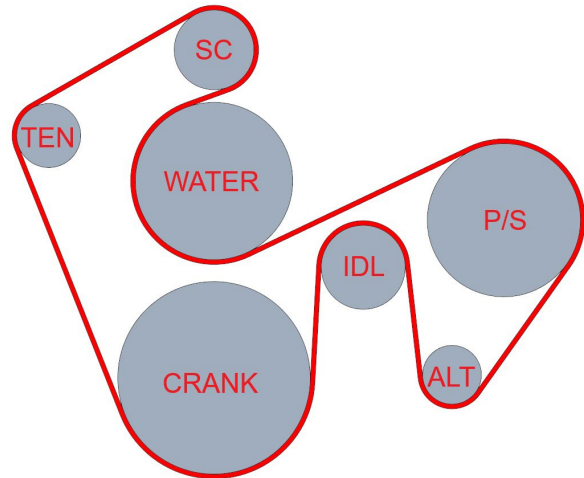
# HTV HD BILLET TENSIONER INSTALLATION GUIDE



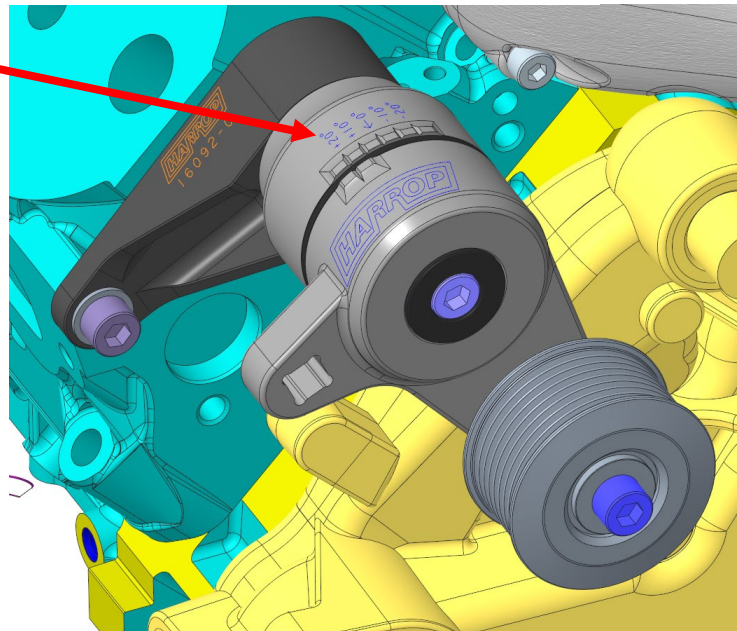
1. Drain engine coolant.
2. Remove top radiator hose from the engine.
3. Remove the existing serpentine belt.
4. Remove the OEM belt tensioner.
5. Install the Harrop HTV HD billet tensioner using the supplied M10 socket head bolts into the RHS cylinder head.
6. Torque the M10 socket head bolts to 60Nm.



7. Place new belt over all the pulley except the water pump pulley, ensuring that the belt is on the correct path.



8. Using a ½" drive breaker bar, wind the tensioner all the way to the +20 degree position, then push the belt over the water pump pulley.
9. Refit the top radiator hose to the engine.
10. Refill the engine coolant.
11. Start engine to ensure correct belt alignment.



NOTE: Some modifications to the original tensioner mount tabs on the water pump may be required for the tensioner to fit.